

# Instruction for installing and usage of 616

## Procedure for altering the numerical value of the interior:

Pressing the ADD key (10) and MINUS key (11) on the display panel at the same time for about 2 seconds, you will see the letter A on the display panel

1. Pressing the setting key (8), and then you will see the letter E, (choosing several currency system), after that you can press the ADD key or MINUS key to increase or decrease the numerical value. After setting up, please press the setting key to confirm.
2. Appearing the letter H (the quantity of sampling for various currency value)
3. Appearing the letter P (the numerical value for signal output of various currency value)
4. Appearing the letter F (the precision of various currency value)
5. By parity of reasoning, setting is finished with your chosen currency. When the letter E is shown, please turn off the power and it will reopen again.

P.S. E: Choosing several currency value. (1-6) *каждо по разному монетам*

H: Quantity of sampling for various currency value. (1-20 pieces). *каждому количеству монет по разному*

P: The numerical value for signal output of various currency value. (1-50) *каждо по количеству*

F: The precision of various currency value. (1-20, the smaller the number is, the more accurate the precision is. (Suggesting number is 8)

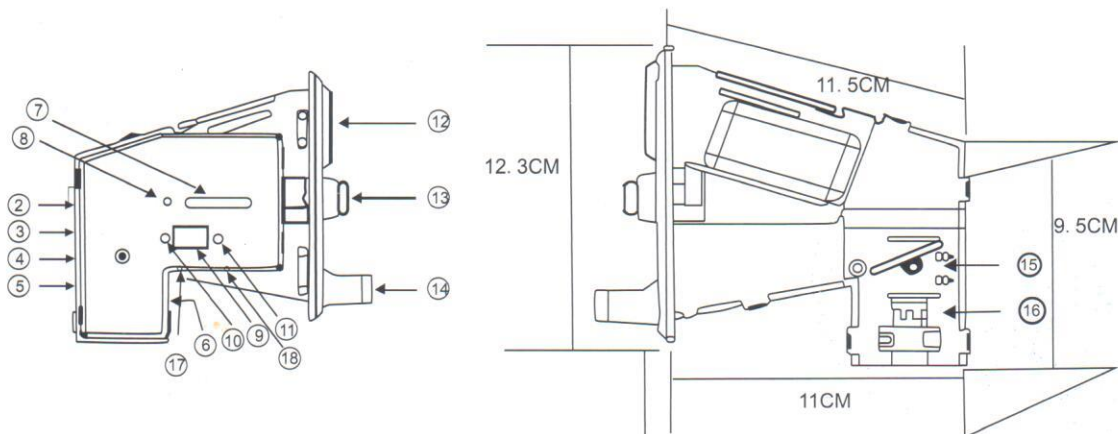
Setting key: SET Confirming key

ADD: Numerical value "+"


MINUS: Numerical value "-"

## Methods for setting coin samples:

1. Pressing the setting key, the letter A is shown. Then press the setting key again, the letter A1 is shown, and the first LED light is always on, so at this moment, inputting 20 first sample coins by constant velocity. (When the setting numerical value of H 1 is 20)
2. After inputting the coins, LED lights will flicker. When the letter A2 is shown and the first two LED lights are on, please inputting 20 second sample coins by constant velocity. (When the setting numerical value of H 2 is 20)
3. After inputting the coins, LED lights will flicker. When the letter A3 is shown and the first three LED lights are on, please inputting 20 third sample coins by constant velocity. (When the setting numerical value of H 3 is 20). By parity of reasoning, please finish the setting. After finishing setting all the needed numerical value coins, all the LED lights will flicker several times, it can be used normally.



Instruction for position of function

Name	Functions
② 4pin socket	
③ 2 section switch	NO(always on) NC (always off)
④ 3 section switch	Signal width: 20ms (fast,) 50ms (medium) 70ms (slow)
⑤ 2pin socket	Signal of forbidden energy inputting. Up PIN means signal inputting, voltage is more than 4V means OK. 0V means forbidden, Down PIN means ground wire.
⑥ 2pin socket	Electromagnetism gate DC 12V
⑦ LED light	Matching up the instruction of the light 8
⑧ Inching button	Setting key SET
⑨ Changing 8 Nixie tube	Showing display status
⑩ inching button	Status shows the numerical value "+"
⑪ inching button	Status shows the numerical value "-?"
⑫ slit	
⑬ Coins returning Key	
⑭ Coins returning mouth	
⑮ electromagnetism gate	Eliminating false coins
⑯ Cheat-defending function	Defending speculation
⑰ RS232 communication port	By connecting 232 transfer slab externally, it can output 232 level informations (select and use)
⑱ paralleling outlet	Signal paralleling outlet (select and use)

Numerical value for product quality

Identify accuracy rate	95%
Identify speed	0.6second
Power source	DC12+10%
Working current	50ma
Moment maximum current	350ma (less than 0.5S)
Net weight	g
Operating temperature	-10-60°C
Storing temperature	-20-85°C
Operating humidity	≤95%
barometric pressure	85Kpa-106Kpa
Applying coin diameter	15mm-32mm
Applying coin thickness	1.8mm-3.5mm
canning material	PC plastic